



MODULAR

OPEN MOULD

NEXT GENERATION
EBIKE SOLUTIONS

MTB

IJ *InterJet* INC.

TREKKING



MODULAR

INTERJET CAN OFFER YOU
CUTTING EDGE READY-FOR-USE
eBIKE FRAMES FOR THE MY24/25
GENERATIONS OF BOSCH,
SHIMANO, MAHLE AND VALEO
FULL-INTEGRATED DRIVE SYSTEMS

MTB

 **InterJet** INC.

TREKKING



MODULAR

Not only do our openly available frames comply with all current market requirements, such as modern design, a trailblazing geometry, 28" or 29" wheel size and high-performance rear-suspension technology and kinematics, but also you can rely on our superior Quality and QC standards, on-time delivery and uncomplicated warranty settlement.

We supply our customers even starting from moderate qty's. On top of that we offer totally flexible possibilities for custom modifications, regarding design or geometry, even for smaller orders, without charging any start-up cost.

Different categories and models, custom geometry, alternative tubing and gussets, suspension travel options, different battery solutions, a lot of highly customizable options are available.

Overview



SHIMANO®

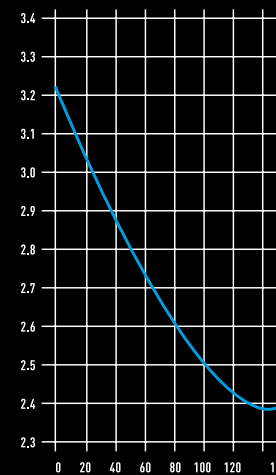
MAHLE

Valeo

We offer a wide variety of possibilities for your eBike solutions. Simply choose your drive system, suspension type, travel levels, geometry settings, wheel/tire size, rear axle width (O.L.D.), and tubing options to compose your favourite frame! All of the frames have been engineered using the latest 3D software and we are using leading kinematics software to optimise the suspension systems performance. Our frames are produced in one of the best bicycle frame factories in the world, so you can count on absolutely outstanding production quality and stability.



mm/mm Leverage Ratio



Gravel MAHLE



SHIMANO[®]



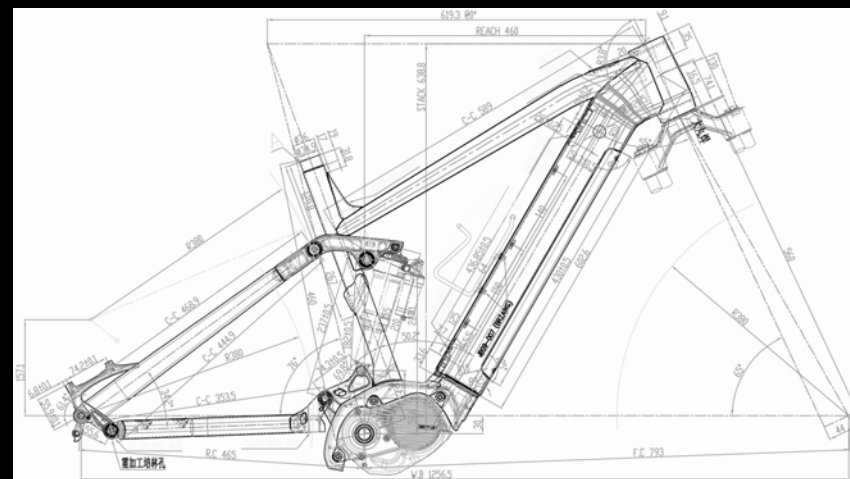
OP2.6



OP14.6

eMTB Fully OP2.6 | eMTB Hardtail OP14.6

- Shimano EP8 / EP6 | BT-E805L / BT-E806 Internal Battery
- Suspension Travel: OP2.6 140/150/160mm / OP14.6 120mm
- Up to 29" 2.6" tire clearance
- Tru-Axle
- Superboost (+) possible
- Internal cablerouting | ICG Headset | Kickstand option
- DU-EP8 | DU-EP6 Compatible
- Tubing | Gusset Options
- Individual Geometry and Framesizes



GEOMETRY



SHIMANO®

MODULAR

eTREKKING



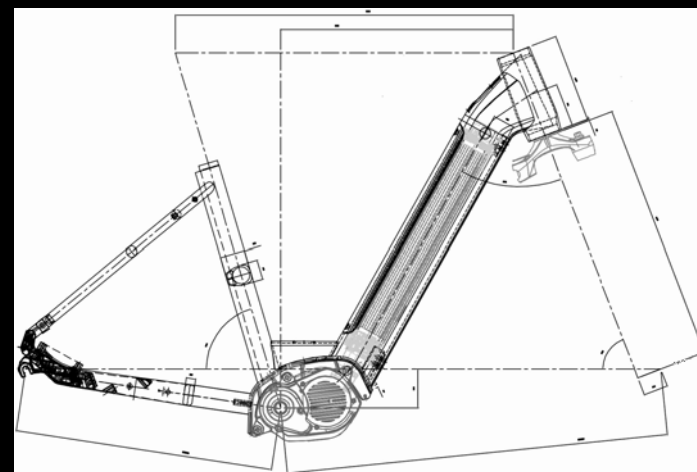
OP22.1



OP34.3

eTrekking Fully OP22.1 | eTrekking WAVE OP34.3

Shimano EP8 / EP6 | BT-E805L / BT-E806 Internal Battery
80/90/100mm Suspension Travel / OP34.3 Belt ready / KSA40
28" 40/50/60mm Tire Clearance
OP22.1 Tru-Axle | Kickstand KSA18
Internal cablerouting / ICG Headset
DU-EP8 | DU-EP6 Compatible
Tubing | Gusset Options
Individual Geometry and Framesizes



GEOMETRY



SHIMANO®

MODULAR

eTREKKING



OP18.7



OP18.4

eTrekking Men | Lady

Shimano EP8 / EP6 | BT-E805L / BT-E806 Internal Battery

80/90/100mm Suspension Travel

28" up to 55mm Tire

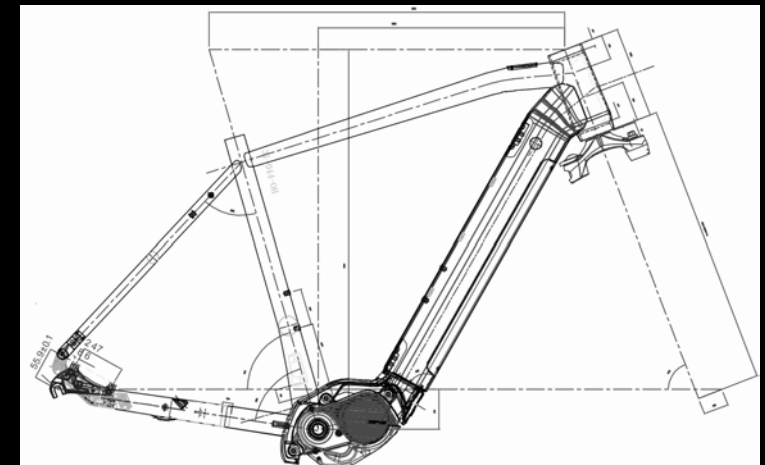
Tru-Axle/QR - Slideable DO + Belt ready SS Opener

Internal cablerouting | ICG Headset | Kickstand KSA

DU-EP8 | DU-EP6 Compatible

Tubing | Gusset Options

Individual Geometry and Framesizes



GEOMETRY





MAHLE



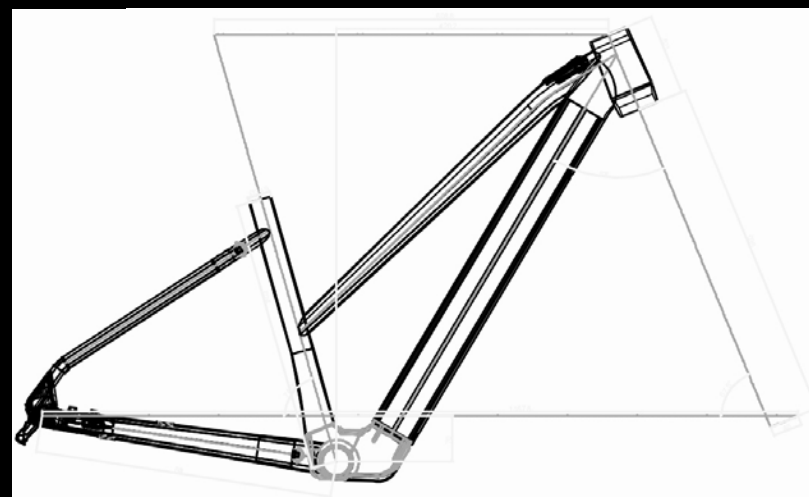
OP4.2



OP4.1

eMTB Hardtail X20 OP4.2 / eBike Urban OP4.1

MAHLE X20 | iX350Wh Internal Battery
Suspension Travel OP4.2: 120mm
Up to 29" 2.6"(OP4.2) / 28" 55mm(OP4.1)
Tru-Axle
Internal cablerouting / ICG Headset
Tubing | Gusset Options
Individual Geometry and Framesizes



GEOMETRY



MAHLE


MODULAR

eTREKKING



OP4.4



OP4.6

eTREKKING X20 MENS OP4.4 / LADY OP4.6

MAHLE X20 | iX350Wh Internal Battery

Suspension Travel : 100mm

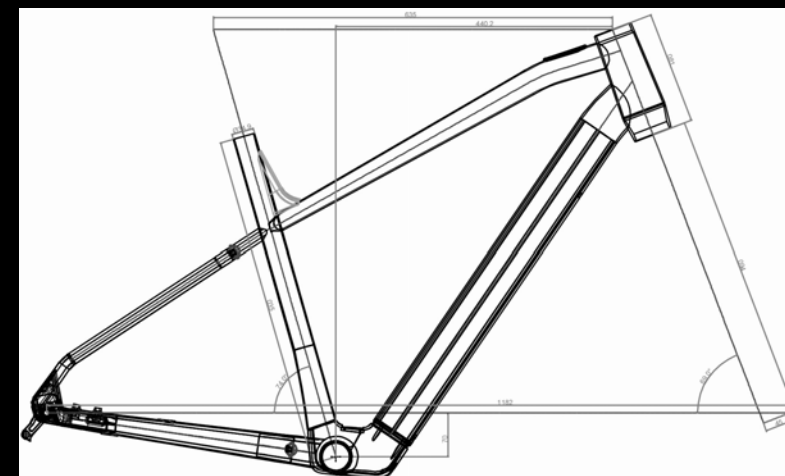
Up to 28" 55mm

Tru-Axle

Internal cablerouting / ICG Headset

Tubing | Gusset Options

Individual Geometry and Framesizes





Valeo



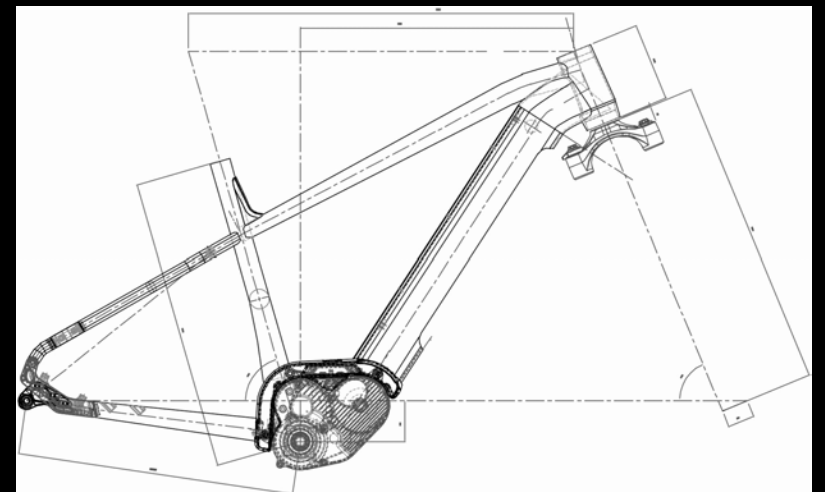
OP14.1



OP2.1

eMTB Hardtail OP14.1 | eMTB Fully OP2.1

Valeo GO7 | ULTRA i630 Internal Battery
 Suspension Travel : OP14.1 120mm | OP2.1 120mm
 Up to 29" 2.6"
 Tru-Axle | OP14.1 Belt Compatible | OP2.1 Kickstand KSA40
 Superboost (+) possible
 Internal cablerouting / ICG
 DU-EP8 | DU-EP6 | DU-E6100 Compatible
 Tubing | Gusset Options
 Individual Geometry and Framesizes



GEOMETRY





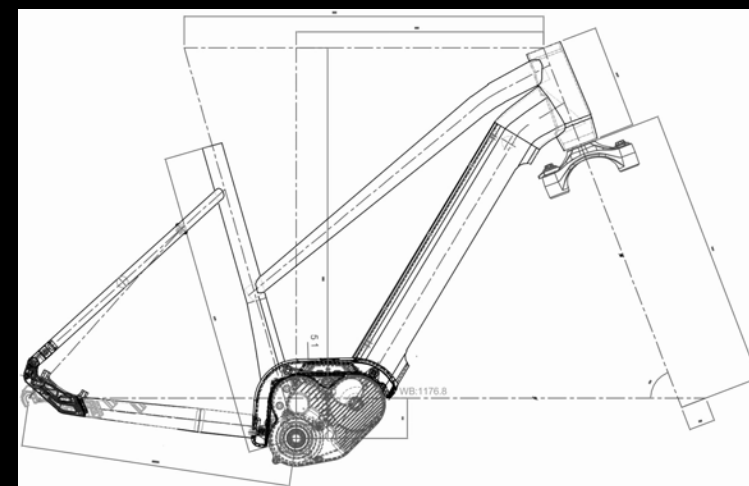
OP18.1



OP23.1

eTREKKING GO7 MENS OP18.1 | FULLY OP23.1

- Valeo GO7 | ULTRA i630 Internal Battery
- Suspension Travel : OP18.1 100mm | OP22.2 120mm
- Up to 28" 55mm / 29" 2.4"
- Tru-Axle
- Superboost (+) possible
- Internal cablerouting / ICG
- Tubing | Gusset Options
- Individual Geometry and Framesizes



GEOMETRY





MODULAR

IMPRINT

InterJet Incorporated
2-7-38 Nishimiyahara Yodogawa-ku
Osaka 532-0004 Japan

TEL +81-6-6393-3611
FAX +81-6-6393-3822
E-MAIL chris@interjet.co.jp

**NEXT GENERATION
EBIKE SOLUTIONS**

 **InterJet** INC.